

BARRIE TRIM & MOULDINGS

PRODUCT CATALOGUE

POPLAR | KNOTTY PINE | CLEAR PINE | RED OAK | HARD MAPLE | CHERRY | PRIMED F/J POPLAR



it's all in the details...

BTM BARRIE TRIM &
MOULDINGS INC.

TRIM DOORS STAIRS RAILINGS

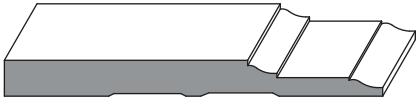
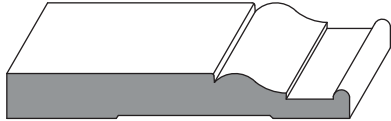
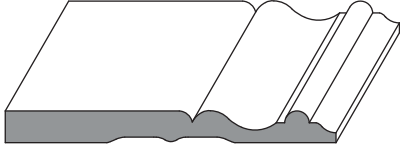

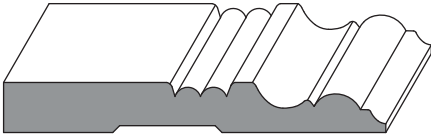
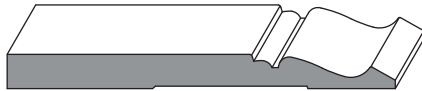

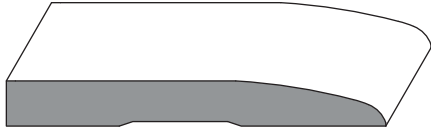
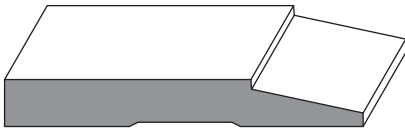
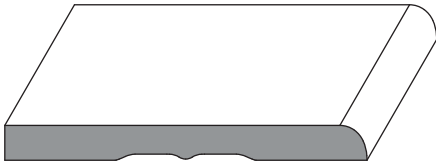


52 Saunders Rd., Barrie ON L4N 9A8 | 705-739-2200

www.barrietrिम.com


TABLE OF CONTENTS

Baseboards	2
Casings	3
Architraves	4
Door Stops, Door Jambs / Astrigal	5
Corner / Plinth Blocks	6
Outside Corners	6
Burlaps	6
Panel Moulds	7
Shingle Moulds	7
Decorative Moulds	8
Crown Moulding	9
Cap Moulds	10
Cove Moulds	10
Miscellaneous Moulds	11
Quarter Rounds	11
Half Rounds	11
Threshold	12
Nosing	12
Reducers	12
T & G Panelling	13
Backbands	13
Hand Rails / Shoe Rails	14
Chair Rails	15
Bar Rails	16
Window Sills	16
Dressed Four-Side Lumber	17

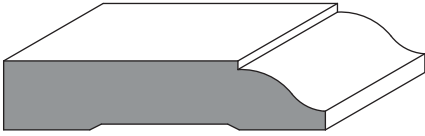
BASEBOARDS

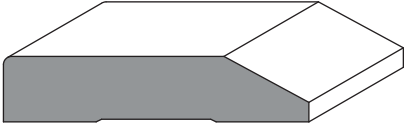
DRAWING	CODE / SIZE	DRAWING	CODE / SIZE
<p>2-STEP BASE</p> 	<p>BAS-306 5/8" x 3-1/2"</p> <p>BAS-412 5/8" x 4-1/4"</p> <p>BAS-509 5/8" x 5-1/4"</p> <p>BAS-701 1 1/16" x 7-1/4"</p>	<p>REGAL BASE</p> 	<p>BAS-5C9 1 1/16" x 5-1/4"</p> <p>BAS-7A1 1 1/16" x 7-1/4"</p>
<p>COLONIAL BASE</p> 	<p>BAS-300 5/16" x 3-1/4"</p> <p>BAS-400 5/8" x 4-1/4"</p> <p>BAS-503 5/8" x 5-1/4"</p> <p>BAS-704 1 1/16" x 7-1/4"</p>	<p>ORNAMENTAL BASE</p> 	<p>BAS-773 13/16" x 7-1/4"</p>
<p>1867 BASE</p> 	<p>BAS-518 1 1/16" x 5-1/4"</p> <p>BAS-702 1 1/16" x 7-1/4"</p>	<p>PRESTIGE BASE</p> 	<p>BAS-803 3/4" x 8-1/2"</p>
<p>ANTIQUE BASE</p> 	<p>BAS-785 1 1/16" x 7-1/4"</p>	<p>BEVEL BASE</p> 	<p>BAS-508 5/8" x 5-1/4"</p> <p>BAS-712 5/8" x 7-1/4"</p>
<p>CONTEMPORARY BASE</p> 	<p>BAS-405 5/8" x 4-1/4"</p> <p>BAS-5M7 1 1/16" x 5-1/4"</p> <p>BAS-647 1 1/16" x 6-1/4"</p> <p>BAS-7A7 1 1/16" x 7-1/4"</p>	<p>FLAT BASE</p> 	<p>BAS-301 5/16" x 3-1/4"</p> <p>BAS-411 3/8" x 4"</p>
<p>BEVEL BASE</p> 	<p>BAS-732 1 1/16" x 7-1/4"</p>	<p>OGEE BASE</p> 	<p>BAS-7K2 1 1/16" x 7-1/4"</p>

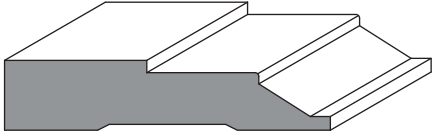
BASEBOARDS

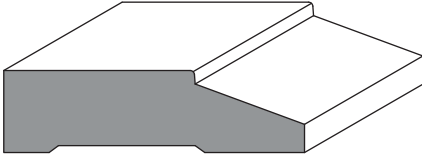
DRAWING	CODE / SIZE
<p>CONTEMPORARY BASE</p> 	<p>BAS-7K3 1 1/16" x 7-1/4"</p>

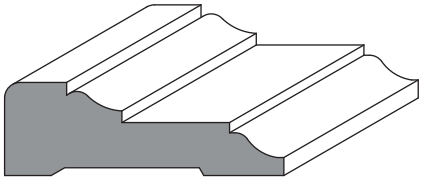
CASINGS

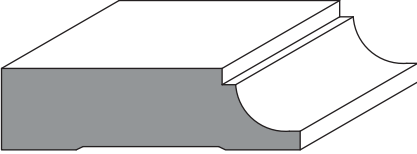
DRAWING	CODE / SIZE
<p>OGEE CASING</p> 	<p>CAS-3V6 3/4" x 3-1/2"</p>

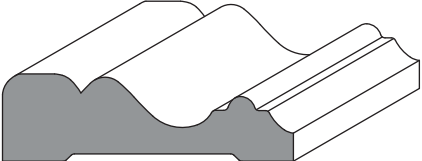
DRAWING	CODE / SIZE
<p>BEVEL CASING</p> 	<p>CAS-3T2 3/4" x 3-1/2"</p>

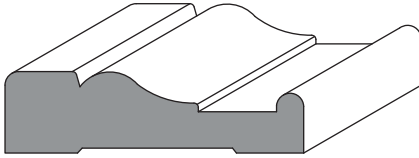
<p>CONTEMPORARY CASING</p> 	<p>CAS-3X8 3/4" x 3-1/2"</p>
--	---

<p>CONTEMPORARY CASING</p> 	<p>CAS-2M4 3/4" x 2-3/4" CAS-302 3/4" x 3-1/4"</p>
---	--

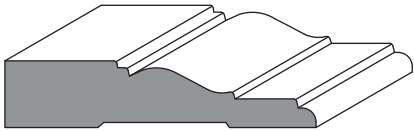
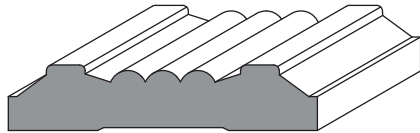
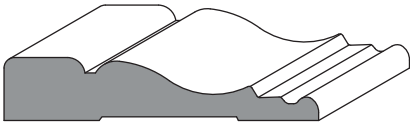
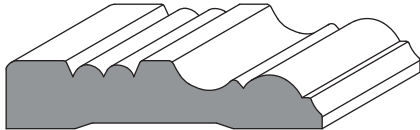
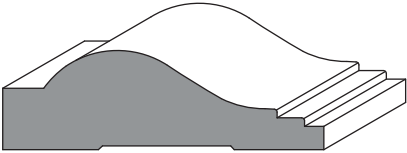
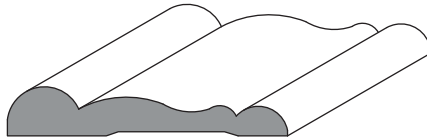
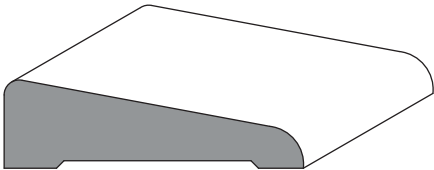
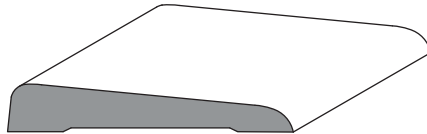
<p>2-STEP CASING</p> 	<p>CAS-213 3/4" x 2-1/4" CAS-219 3/4" x 2-3/4" CAS-300 3/4" x 3-1/4"</p>
--	---

<p>CASING</p> 	<p>CAS-2F3 3/4" x 2-3/4"</p>
--	---

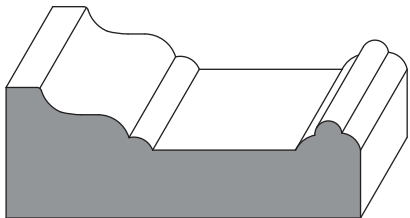
<p>COLONIAL CASING</p> 	<p>CAS-206 3/4" x 2-1/2" CAS-255 3/4" x 2-3/4" CAS-314 3/4" x 3-1/4"</p>
--	---

<p>REGAL CASING</p> 	<p>CAS-2F2 3/4" x 2-3/4" CAS-3J8 3/4" x 3-1/4"</p>
--	--

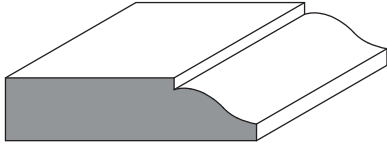
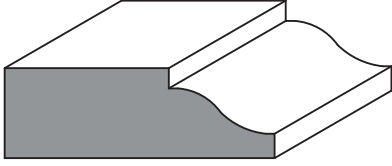
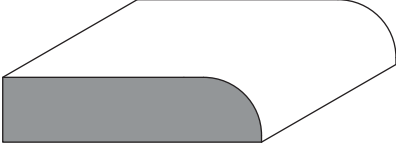
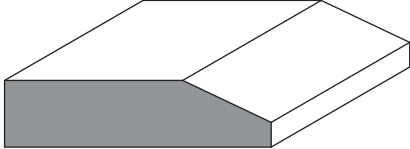
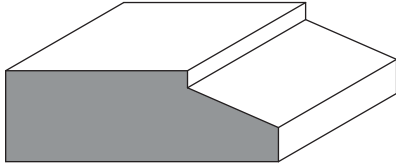
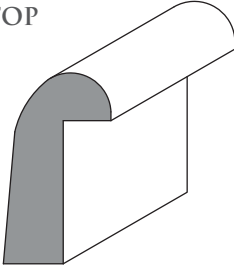
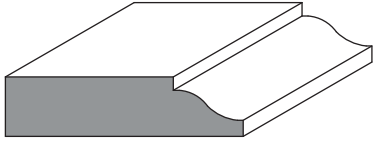
CASINGS

DRAWING	CODE / SIZE	DRAWING	CODE / SIZE
ORNAMENTAL CASING 	CAS-3F5 3/4" x 3-1/2"	SYMMETRICAL CASING 	CAS-305 3/4" x 3-1/4" CAS-400 3/4" x 4"
PRESTIGE CASING 	CAS-3F6 3/4" x 3-3/4"	1867 CASING 	CAS-318 3/4" x 3-1/2"
ANTIQUE CASING 	CAS-445 1-5/16" x 4-1/4"	THIN COLONIAL CASING 	CAS-203 3/8" x 2-1/8"
BEVEL CASING 	CAS-214 3/4" x 2-1/2"	THIN FLAT CASING 	CAS-208 3/8" x 2-1/4"

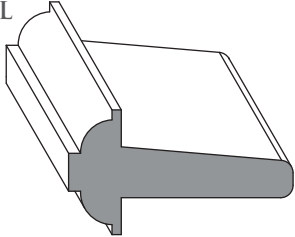


ARCHITRAVES

DRAWING	CODE / SIZE
ARCHITRAVE 	ARC-401 1-3/4" x 4-3/4"

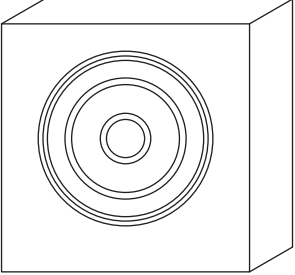
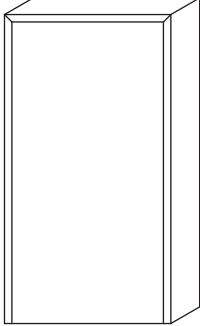
DOOR STOPS

DRAWING	CODE / SIZE	DRAWING	CODE / SIZE
COLONIAL DOOR STOP 	STO-100 5/16" x 1-1/4" STO-101 5/16" x 1-5/8"	COLONIAL DOOR STOP 	STO-102 1/2" x 1-1/2"
BULLNOSE DOOR STOP 	STO-111 5/16" x 1-1/4" STO-112 5/16" x 1-5/8"	BEVEL DOOR STOP 	STO-139 5/16" x 1-1/4"
CONTEMPORARY DOOR STOP 	STO-174 1/2" x 1-1/2"	GLASS STOP 	STO-103 9/16" x 1"
BACKER STRIP 	BAC-200 1/2" x 2"		

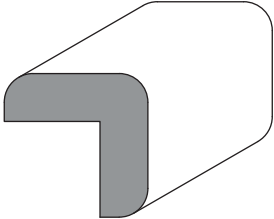
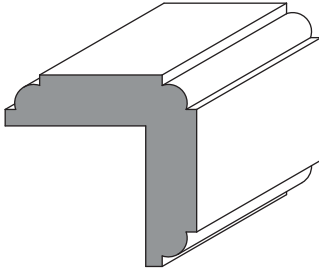
DOOR JAMB / ASTRIGAL

DRAWING	CODE / SIZE	DRAWING	CODE / SIZE
ASTRIGAL 	AST-200 1-1/4" x 2-1/4"	DOOR JAMB 	JAM-1X5 3/4" x 4-5/8" JAM-1X6 3/4" x 5-1/2" JAM-1X7 3/4" x 6-5/8"
BEVEL DOOR JAMB 	JAM-402 3/4" x 4-5/8" JAM-600 3/4" x 6-5/8"		

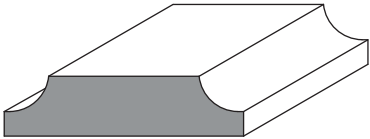
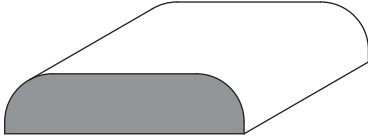
CORNER / PLINTH BLOCKS

DRAWING	CODE / SIZE	DRAWING	CODE / SIZE
<p>CORNER BLOCK</p> 	<p>COR-200 9/16" x 2-1/2"</p> <p>COR-222 7/8" x 2-7/8"</p> <p>COR-301 7/8" x 3-1/8"</p> <p>COR-306 7/8" x 3-5/8"</p> <p>COR-400 7/8" x 4-1/4"</p> <p>COR-501 7/8" x 5"</p>	<p>PLINTH BLOCK</p> 	<p>PLI-222 7/8" x 2-7/8" x 6"</p> <p>PLI-301 7/8" x 3-1/8" x 6"</p> <p>PLI-306 7/8" x 3-5/8" x 8"</p> <p>PLI-400 7/8" x 4-1/4" x 8"</p>

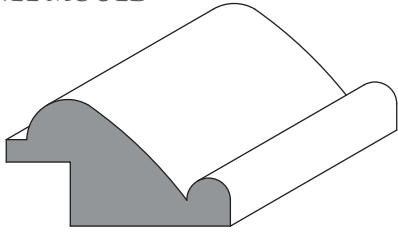
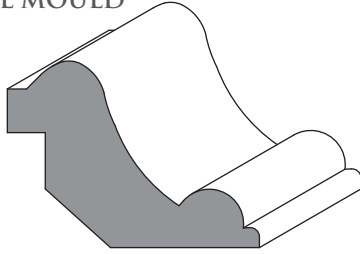
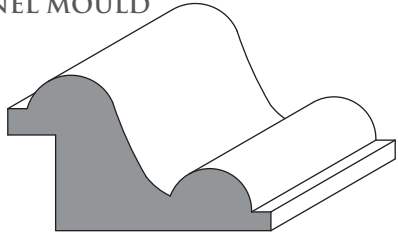
OUTSIDE CORNERS

DRAWING	CODE / SIZE	DRAWING	CODE / SIZE
<p>OUTSIDE CORNER</p> 	<p>OUT-001 3/4" x 3/4"</p> <p>OUT-007 1" x 1"</p> <p>OUT-105 1-1/4" x 1-1/4"</p>	<p>DECORATIVE CORNER</p> 	<p>OUT-008 1" x 1"</p>

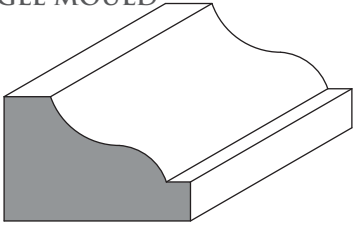
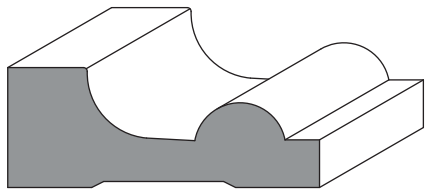
BURLAPS

DRAWING	CODE / SIZE	DRAWING	CODE / SIZE
<p>COLONIAL BURLAP</p> 	<p>BUR-101 5/16" x 1-1/4"</p> <p>BUR-102 5/16" x 1-5/8"</p> <p>BUR-201 5/16" x 2"</p>	<p>BULLNOSE BURLAP</p> 	<p>BUR-105 5/16" x 1-1/4"</p> <p>BUR-106 5/16" x 1-5/8"</p>

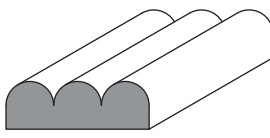
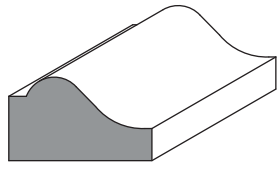
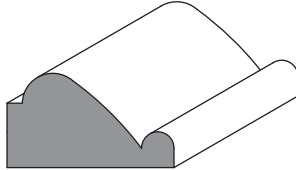
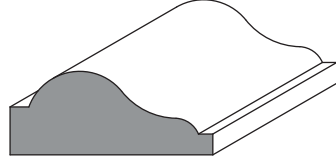
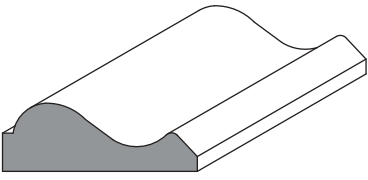
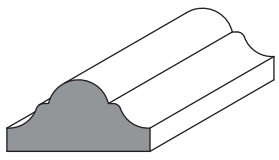
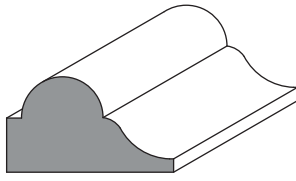
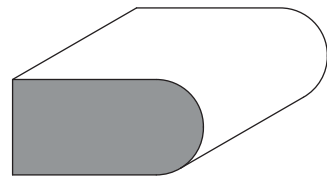
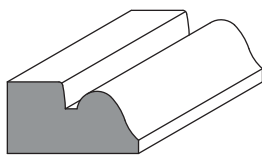
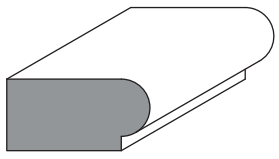
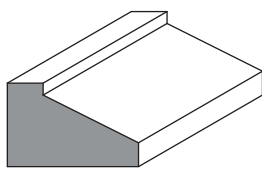
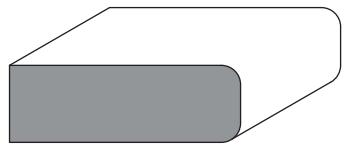
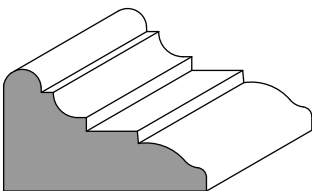
PANEL MOULDS

DRAWING	CODE / SIZE	DRAWING	CODE / SIZE
<p>PANEL MOULD</p> 	<p>PAN-001 1/2" x 7/8" 1/4" offset</p>	<p>PANEL MOULD</p> 	<p>PAN-103 3/4" x 1-7/8" 3/4" offset</p>
<p>PANEL MOULD</p> 	<p>PAN-101 3/16" x 1-3/8" 1/2" offset</p>		

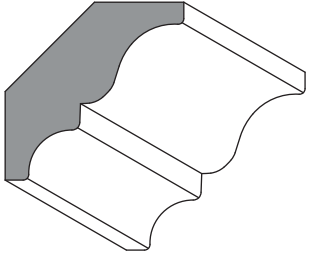
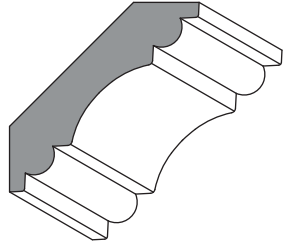
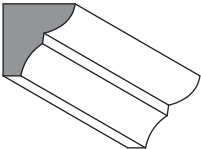
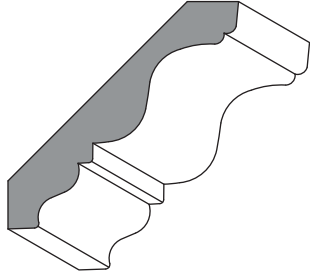
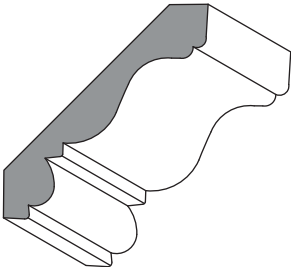
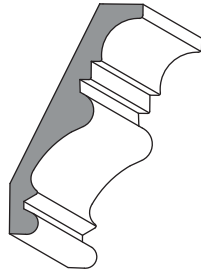
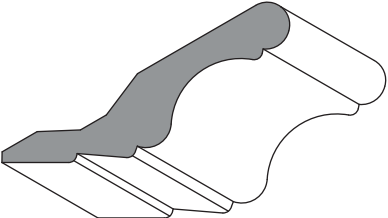
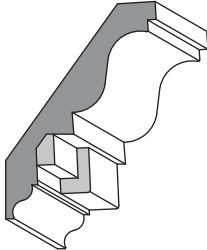
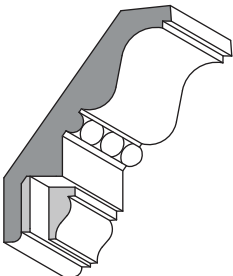
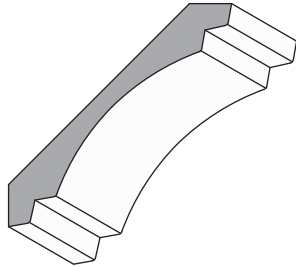
SHINGLE MOULDS

DRAWING	CODE / SIZE	DRAWING	CODE / SIZE
<p>SHINGLE MOULD</p> 	<p>SHI-002 1/2" x 3/4" SHI-102 3/4" x 1-1/4" SHI-101 3/4" x 1-5/8" SHI-203 1-1/4" x 2-1/4"</p>	<p>SHINGLE MOULD</p> 	<p>SHI-308 1-1/4" x 3-1/4"</p>

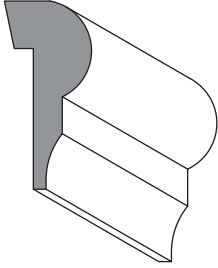
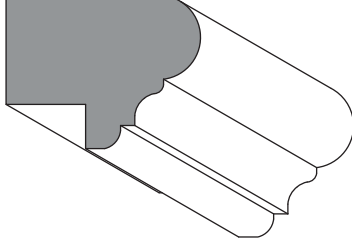
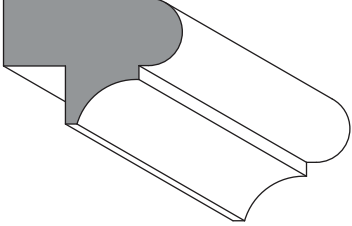
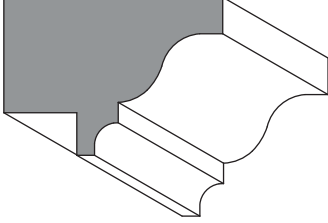
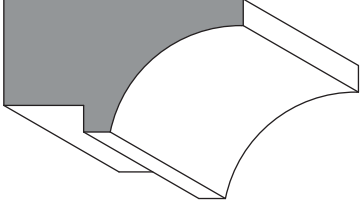
DECORATIVE MOULDS

DRAWING	CODE / SIZE	DRAWING	CODE / SIZE
<p>SCREEN MOULD</p> 	<p>SCR-001 1/4" x 3/4"</p>	<p>DECORATIVE MOULD</p> 	<p>DEC-006 7/16" x 3/4"</p>
<p>INSET PANEL MOULD</p> 	<p>DEC-007 1/2" x 7/8"</p>	<p>INSET DECORATIVE MOULD</p> 	<p>DEC-103 7/16" x 1-1/16"</p>
<p>PROVINCIAL MOULD</p> 	<p>PRO-104 7/16" x 1-1/4"</p>	<p>SYMMETRICAL MOULD</p> 	<p>DEC-005 3/8" x 3/4"</p> <p>DEC-102 5/8" x 1-1/4"</p> <p>DEC-105 3/4" x 1-5/8"</p>
<p>DECORATIVE MOULD</p> 	<p>DEC-065 1/2" x 7/8"</p>	<p>BEAD MOULD</p> 	<p>BEA-100 1/2" x 1"</p>
<p>DECORATIVE MOULD</p> 	<p>DEC-022 3/8" x 11/16"</p>	<p>BEAD MOULD</p> 	<p>BEA-001 3/8" x 3/4"</p>
<p>CONTEMPORARY PANEL MOULD</p> 	<p>DEC-066 7/16" x 11/16"</p>	<p>CONTEMPORARY BEAD MOULD</p> 	<p>BEA-116 1/2" x 1-1/2"</p>
<p>DECORATIVE MOULD</p> 	<p>DEC-123 3/4" x 1-1/4"</p>		

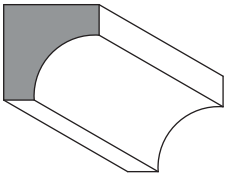
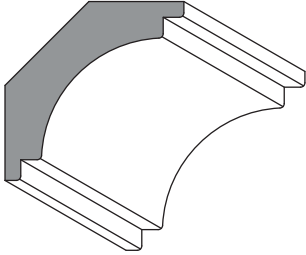
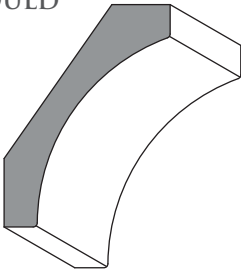
CROWN MOULDING

DRAWING	CODE / SIZE	DRAWING	CODE / SIZE
<p>COLONIAL CROWN</p> 	<p>CRO-202 11/16" x 2-1/4" CRO-302 3/4" x 3-1/4" CRO-400 11/16" x 4-1/4" CRO-500 3/4" x 5-1/4" CRO-702 3/4" x 7-1/4"</p>	<p>SYMMETRICAL CROWN</p> 	<p>CRO-300 3/4" x 3-1/2" CRO-501 3/4" x 5-1/4"</p>
<p>BED MOULD</p> 	<p>BED-001 3/8" x 3/8" BED-100 11/16" x 1-1/2" BED-201 3/4" x 2-1/2"</p>	<p>DECORATIVE CROWN</p> 	<p>CRO-402 13/16" x 4-15/16"</p>
<p>DECORATIVE CROWN</p> 	<p>CRO-301 11/16" x 3-7/8"</p>	<p>DECORATIVE CROWN</p> 	<p>CRO-425 13/16" x 4-7/8"</p>
<p>CABINET CROWN</p> 	<p>CRO-317 3/16" x 3-5/8"</p>	<p>DOUBLE CUT DENTIL</p> 	<p>WR-CM74 3/8" x 3-3/4" WR-CM73 13/16" x 5-1/2"</p>
<p>BEADED DENTIL</p> 	<p>WR-CM75 13/16" x 5-3/16"</p>	<p>CROWN MOULD</p> 	<p>COV-221 11/16" x 2-1/4" COV-509 11/16" x 5-1/4"</p>

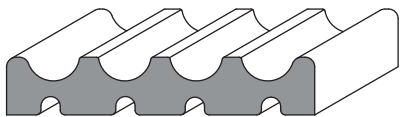
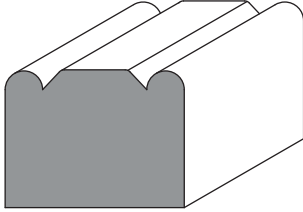
CAP MOULDS

DRAWING	CODE / SIZE	DRAWING	CODE / SIZE
<p>CAP MOULD</p> 	<p>CAP-109 3/4" x 1-5/8"</p>	<p>COLONIAL CAP MOULD</p> 	<p>CAP-104 1-1/16" x 1-3/8"</p>
<p>COLONIAL CAP MOULD</p> 	<p>CAP-100 1-3/16" x 1-1/8" 3/8" offset</p>	<p>COLONIAL HEADER CAP</p> 	<p>CAP-200 1-5/8" x 2-1/4" 3/4" offset</p>
<p>CONTEMPORARY HEADER CAP</p> 	<p>CAP-222 1-1/2" x 2-1/4" 3/4" offset</p>		

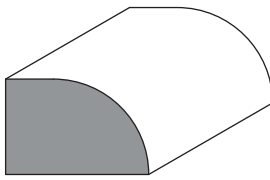
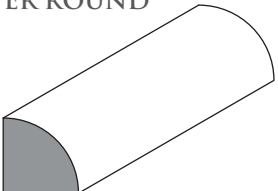
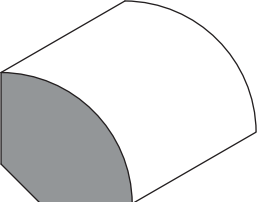
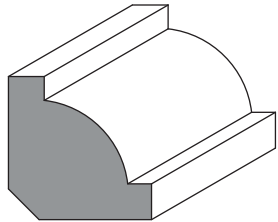
COVE MOULDS

DRAWING	CODE / SIZE	DRAWING	CODE / SIZE
<p>COVE MOULD</p> 	<p>COV-001 1/2" x 1/2" COV-003 3/4" x 3/4" COV-103 1-1/16" x 1-1/16"</p>	<p>DECORATIVE COVE MOULD</p> 	<p>COV-221 11/16" x 2-1/4"</p>
<p>COVE MOULD</p> 	<p>COV-401 1" x 4-1/4"</p>		

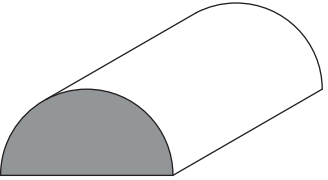
MISCELLANEOUS MOULDS

DRAWING	CODE / SIZE	DRAWING	CODE / SIZE
PILASTER 	PIL-400 3/4" x 4" PIL-600 3/4" x 6"	BRICK MOULD 	BRI-103 1-1/4" x 1-5/8"

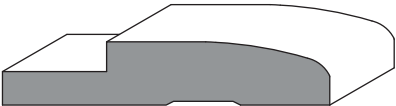
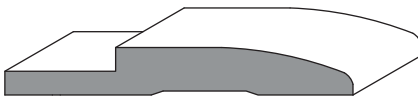
QUARTER ROUNDS

DRAWING	CODE / SIZE	DRAWING	CODE / SIZE
SHOE MOULD 	SHO-001 1/2" x 3/4"	QUARTER ROUND 	QUA-001 1/4" x 1/4" QUA-006 1/2" x 1/2" QUA-009 3/4" x 3/4"
QUARTER ROUND 	QUA-004 11/16" x 11/16" QUA-102 1" x 1"	VINTAGE QUARTER ROUND 	QUA-003 3/4" x 3/4"

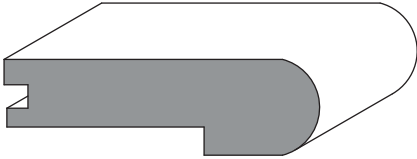

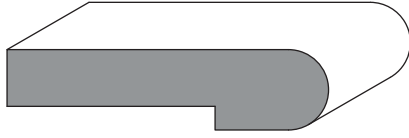
HALF ROUNDS

DRAWING	CODE / SIZE
HALF ROUND 	HAL-005 HAL-102 1/4" x 1/2" 13/16" x 1-5/8" HAL-001 HAL-200 3/8" x 3/4" 1" x 2" HAL-100 HAL-300 1/2" x 1" 1-1/2" x 3" HAL-101 5/8" x 1-1/4"

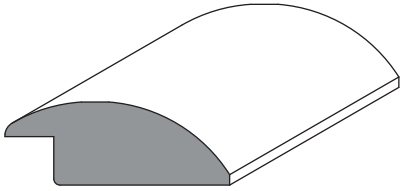
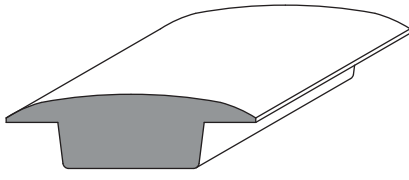
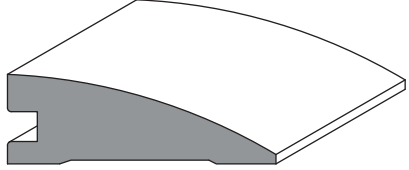
THRESHOLD

DRAWING	CODE / SIZE	DRAWING	CODE / SIZE
<p>THRESHOLD</p> 	<p>THR-500 1-1/16" x 5/12"</p>	<p>THRESHOLD</p> 	<p>THR-501 3/4" x 5-1/2"</p>

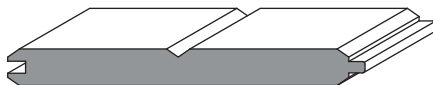
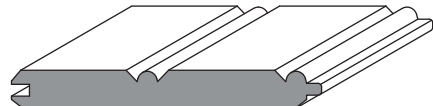
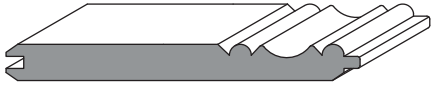
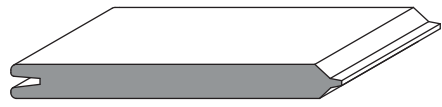
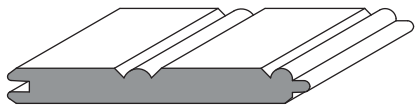

NOSING

DRAWING	CODE / SIZE	DRAWING	CODE / SIZE
<p>NOSING</p> 	<p>NOS-305 1-1/16" x 3-1/2" For 3/4" floor</p>	<p>NOSING</p> 	<p>NOS-400 1-1/16" x 4-1/4" For 5/16" floor</p>
<p>NOSING</p> 	<p>NOS-401 1-1/16" x 4-1/4" For 3/4" floor</p>		

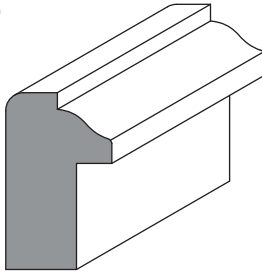
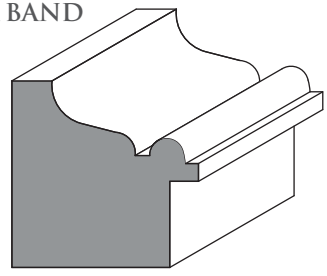
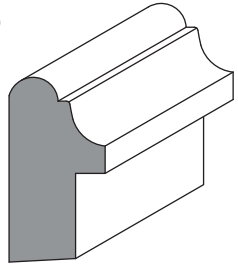
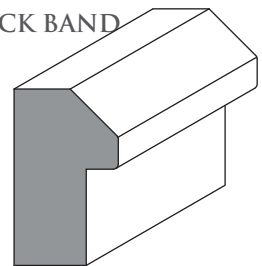
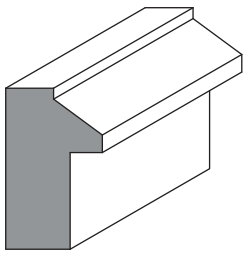
REDUCERS

DRAWING	CODE / SIZE	DRAWING	CODE / SIZE
<p>LAMINATE FLOOR REDUCER</p> 	<p>RED-114 1/2" x 1-7/16"</p>	<p>"T" REDUCER</p> 	<p>RED-116 1/2" x 1-3/4"</p>
<p>REDUCER</p> 	<p>RED-202 3/4" x 2-1/4" For 3/4" floors</p>		

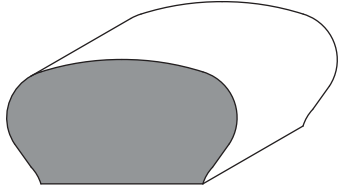
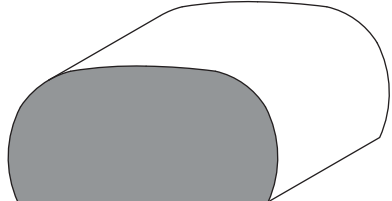
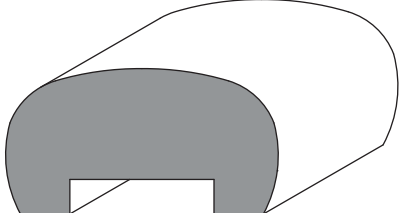
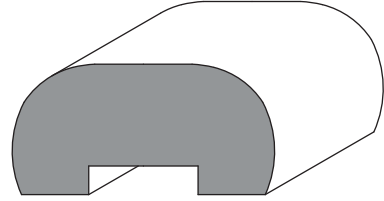
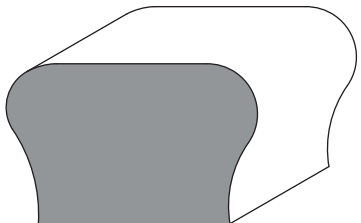
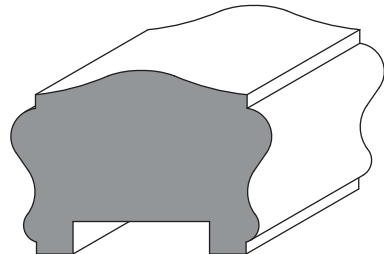
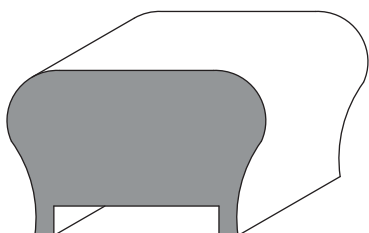
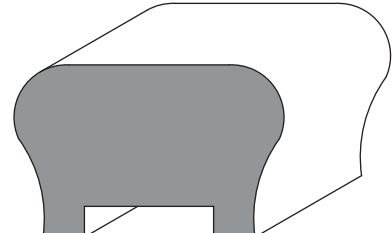
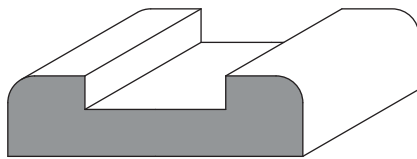
T & G PANELLING

DRAWING	CODE / SIZE	DRAWING	CODE / SIZE
CENTRE V / V-JOINT 	T&G-500 9/16" x 5-1/4" Reversible	DBL BEAD / V-JOINT 	T&G-300 3/8" x 2-7/8" Reversible
PICKWICK / V-JOINT 	T&G-502 9/16" x 5-1/4" Reversible	AROMATIC CEDAR 	T&G-Aromatic 3/8" x 3-5/8" 12. sq ft. per box
PRE-PACKAGED PANELLING 	T&G-303 3/8" x 3" 32" and 96" bundles	SINGLE BEAD/V-JOINT 	T&G-409 5/8" x 4"

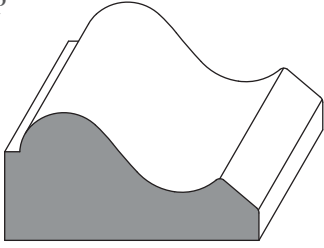
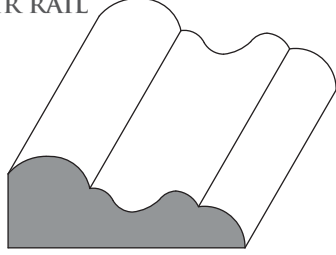
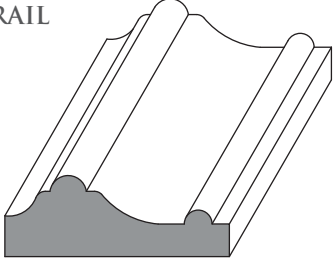
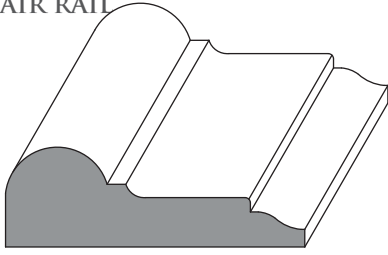
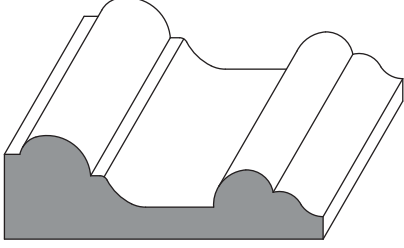
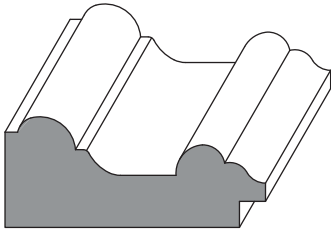
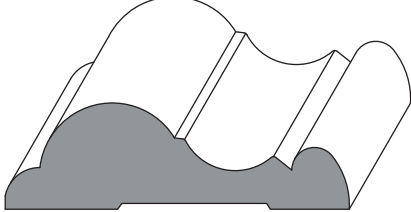
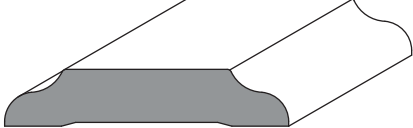
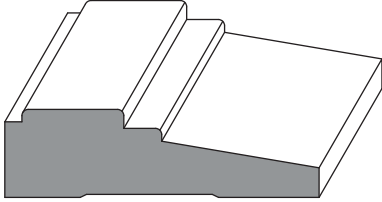
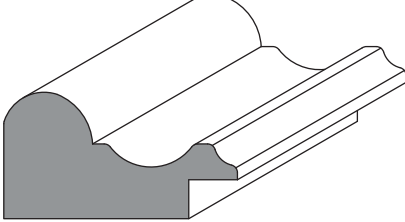
BACKBANDS

DRAWING	CODE / SIZE	DRAWING	CODE / SIZE
BACK BAND 	BAC-102 3/4" x 1-1/4" 3/4" offset	BACK BAND 	BAC-174 1-5/8" x 1-5/8" 3/4" offset
BACK BAND 	BAC-121 13/16" x 1-9/16" 3/4" offset	BEVEL BACK BAND 	BAC-1D2 13/16" x 1-3/8" 3/4" offset
CONTEMPORARY BACK BAND 	BAC-154 3/4" x 1-1/4" 3/4" offset		

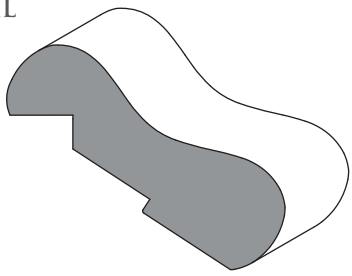
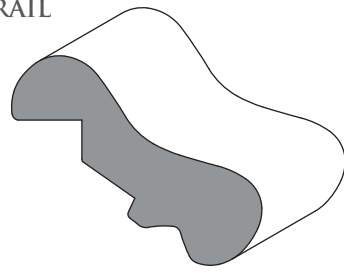
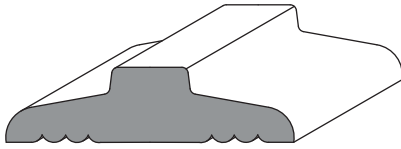
HAND RAILS / SHOE RAILS

DRAWING	CODE / SIZE	DRAWING	CODE / SIZE
<p>PLAIN HAND RAIL</p> 	<p>HAN-200 1-1/4" x 2-1/2"</p>	<p>OVAL HAND RAIL</p> 	<p>HAN-229 1-5/16" x 2-5/8"</p>
<p>OVAL HAND RAIL</p> 	<p>HAN-209 1-5/16" x 2-1/2" 1-5/16" cutout</p>	<p>OVAL HAND RAIL</p> 	<p>HAN-206 1-5/16" x 2-5/8" 1-1/16" cutout</p>
<p>PLAIN HAND RAIL</p> 	<p>HAN-248 1-3/4" x 2-3/4"</p>	<p>DECORATIVE HAND RAIL</p> 	<p>HAN-205F 1-3/4" x 2-1/2" Groove 5/16" x 1-5/16"</p> <p>HAN-305F 1-3/4" x 3" Groove 5/16" x 1-3/4"</p> <p>HAN-301F 2-1/4" x 3" Groove 5/16" x 1-3/4"</p> <p>HAN-302F 2-7/8" x 3-1/4" Groove 1/2" x 1-1/2"</p>
<p>PLAIN HAND RAIL</p> 	<p>HAN-297F 1-3/4" x 2-3/4" Groove 5/16" x 1-3/4"</p>	<p>PLAIN HAND RAIL</p> 	<p>HAN-289F 1-3/4" x 2-3/4" Groove 5/16" x 1-5/16"</p>
<p>SHOE RAIL</p> 	<p>SHO-206F 3/4" x 2-3/4" Groove 5/16" x 1-5/16"</p> <p>SHO-305F 3/4" x 3" Groove 5/16" x 1-3/4"</p>		

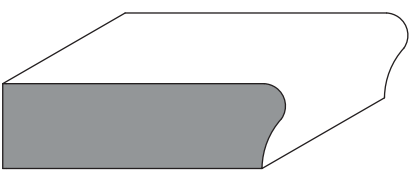
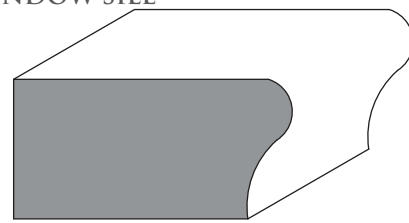
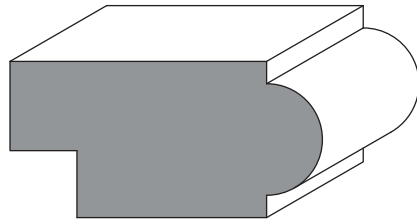
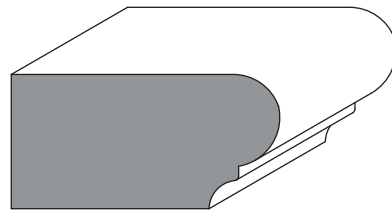
CHAIR RAILS

DRAWING	CODE / SIZE	DRAWING	CODE / SIZE
BASE CAP 	BAS-100 3/4" x 1-1/2"	CHAIR RAIL 	CHA-110 5/8" x 1-5/8"
CHAIR RAIL 	CHA-106 1/2" x 1-3/8" CHA-202 3/4" x 2-1/8"	CHAIR RAIL 	CHA-209 3/4" x 2-1/4"
CHAIR RAIL 	CHA-204 13/16" x 2-1/2"	CHAIR RAIL 	CHA-224 1-1/8" x 2-1/2" 1/4" offset
CHAIR RAIL 	CHA-308 1-1/16" x 3-1/2"	BACK MOULD 	BAC-205 1/2" x 2-1/2" BAC-405 1/2" x 4"
CONTEMPORARY CHAIR MOULD 	CHA-334 7/8" x 3-1/8"	PICTURE FRAME 	PIC-102 13/16" x 1-1/2"

BAR RAILS

DRAWING	CODE / SIZE	DRAWING	CODE / SIZE
BAR RAIL 	BAR-501 1-3/4" x 5-1/4"	BAR RAIL 	BAR-301 1-1/4" x 3-5/8"
WINE GLASS MOULD 	WIN-200 3/4" x 2-7/8"		

WINDOW SILLS

DRAWING	CODE / SIZE	DRAWING	CODE / SIZE
WINDOW SILL 	SIL-203 3/4" x 2-1/2" SIL-305 3/4" x 3-1/2" SIL-502 3/4" x 5-1/2" SIL-702 3/4" x 7-1/4"	WINDOW SILL 	SIL-202 1-1/4" x 2-1/2" SIL-306 1-1/4" x 3-1/2" SIL-503 1-1/4" x 5-1/2"
DESIGNER WINDOW SILL 	SIL-302 1-3/4" x 3-1/2"	DECORATIVE SILL 	SIL-219 1-1/4" x 2-1/2" SIL-304 1-1/4" x 3-1/2"

DRESSED FOUR-SIDE LUMBER

DIMENSIONS		*(,) DOTS = SPECIES AVAILABLE						
Thickness	Width	Paint Grade	Knotty Pine	Clear Pine	Red Oak	Hard Maple	Cherry	Primed FJ Pine
1/4	x 3/4			•	•	•		
1/4	x 7/8				•	•	•	
1/4	x 2-1/2	•		•	•	•		
1/4	x 3-1/2	•		•	•	•		
1/4	x 5-1/2	•		•	•			
1/4	x 7-1/4			•	•			
5/16	x 1-5/16	•		•	•	•	•	
5/16	x 1-3/4	•		•	•	•	•	
1/2	x 1/2	•		•	•	•		
1/2	x 3/4	•		•	•	•	•	
1/2	x 1-1/2	•		•	•	•	•	
1/2	x 2	•		•	•	•		
1/2	x 2-1/2	•	•	•	•	•		
1/2	x 3-1/2	•	•	•	•	•		
1/2	x 5-1/2	•	•	•	•	•		
1/2	x 7-1/4		•	•	•			
3/4	x 3/4	•		•	•	•	•	
3/4	x 1-1/4				•			
3/4	x 1-1/2	•	•	•	•	•	•	
3/4	x 1-3/4				•			
3/4	x 2			•	•	•	•	
3/4	x 2-1/2	•	•	•	•	•	•	•
3/4	x 3-1/2	•	•	•	•	•	•	•
3/4	x 4-5/8	•	•	•	•	•	•	
3/4	x 5-1/2	•	•	•	•	•	•	•
3/4	x 6-5/8	•		•	•	•		
3/4	x 7-1/4	•	•	•	•	•	•	•
3/4	x 9-1/4	•	•	•	•			
3/4	x 11-1/4	•	•	•	•			
1	x 1	•		•	•			
1-1/4	x 1-1/4		•		•	•		
1-1/4	x 2-1/2		•		•	•		
1-1/4	x 3-1/2	•	•		•	•		
1-1/4	x 5-1/2	•	•		•	•		
1-1/4	x 7-1/4	•	•		•	•		
1-5/8	x 1-5/8	•	•	•	•	•		
1-5/8	x 2-1/2	•	•	•	•	•		
1-5/8	x 3-1/2	•	•	•	•	•		
1-5/8	x 5-1/2	•	•	•	•	•		
1-5/8	x 7-1/4	•	•	•	•	•		
1-5/8	x 9-1/4		•	•	•			
1-5/8	x 11-1/4		•	•	•			

FLEX D4S
 3/4" x 3-1/2"
 3/4" x 5-1/2"
 3/4" x 7-1/4"

***NOTE: Not all species may be in stock. Call to check availability.**



BTM BARRIE TRIM & MOULDINGS INC.

TRIM DOORS STAIRS RAILINGS

CUSTOM PROFILES

Along with the profiles in this catalogue we are able to offer custom profiles. We already have tooling for thousands of other profiles, and if necessary we can create tooling for any shape you require.

SPECIAL WOOD TYPES

As well as offering any profile you require we can provide them in almost any type of wood you may want.

GLOSSARY OF TERMS

ARCHITRAVES: In classical architecture, it described the main beam resting on the tops of the columns. Today it is often used as a decorative moulding for ornamentation or finishing at the top of windows and doors.

BASEBOARDS: Baseboards are placed along the wall at the floor. They should be chosen to work in harmony with your casings to finish and tie the room together. Baseboards are usually thinner than the casing.

BUILD-UPS: Combining two or more moulding profiles to create a new or custom look. Also called stacking, build-ups make it easy to create the look of custom made trimwork without the high cost.

CASING: Casings define the overall character of a room and are often the most visible part of the trim. They are used primarily to cover the gap between drywall and the door or window frame. Casings are generally thicker than the base mouldings.

CROWNS: Crowns are placed along the wall at the ceiling. They come in a wide range of patterns and sizes. Crowns soften the transition from wall to ceiling while adding a distinctive look and charm to your room.

FINISH BOARDS: Finish Boards come in either S4S (Surfaced 4 Sides) or S3S (Surfaced 3 Sides) and are used for a multitude of purposes including shelving, window liner, bases, casing, etc.

PANEL MOULDS: Panel Moulds are used to frame wall paneling and add an accent to your walls. Often used in furniture construction.

RAKE MOULD: Rakes are often used as crowns. In fact, they are sometimes called "solid crowns".

WAINSCOT: Trimwork installed in the area below a chair rail. Numerous options are available including raised panel, shadow box and beaded. Combined with a chair rail and baseboard, Wainscoting creates a dramatic look to any room.

WINDOW STOOL: Also called window sill, a Window Stool is the surface installed below the sash of a window. Trim installed under window stool creates a distinctive look and adds a decorative touch.

BTM BARRIE TRIM & MOULDINGS INC.

TRIM DOORS STAIRS RAILINGS



It's all in the details... adding value to your home since 1985

Founded as a small retail shop, Barrie Trim and Mouldings has grown Substantially over the years. We supply and install trim and doors along with stairs and railing to builders, contractors and home owners. We manufacture our stairs in house, and custom install them along with our railings and spindles. With a large showroom and experienced staff, we are always willing to go the extra mile to help you pick out your material with ease. On-site Quotations and consultations are provided to ensure the end result fits your needs and budget.

To learn more about our company visit barrietrिम.com

Mon to Fri 7am-5pm | 52 Saunders Road, Barrie | 705-739-2200 | 1-800-265-3465 | www.barrietrिम.com